

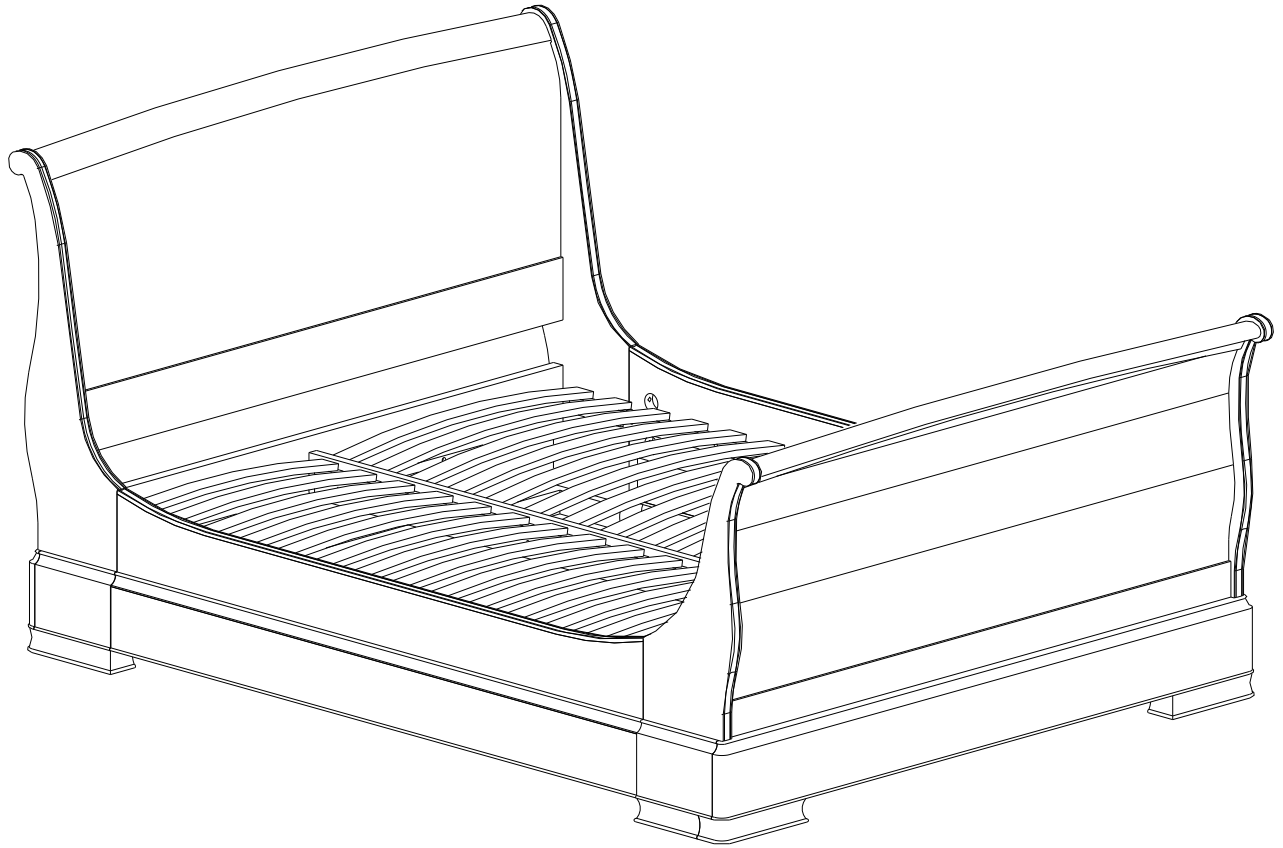
---

# WILLIS & GAMBIER

## Lyon Bedroom Collection

180cm High End Bed (Product Code BS/2090N/6)

---



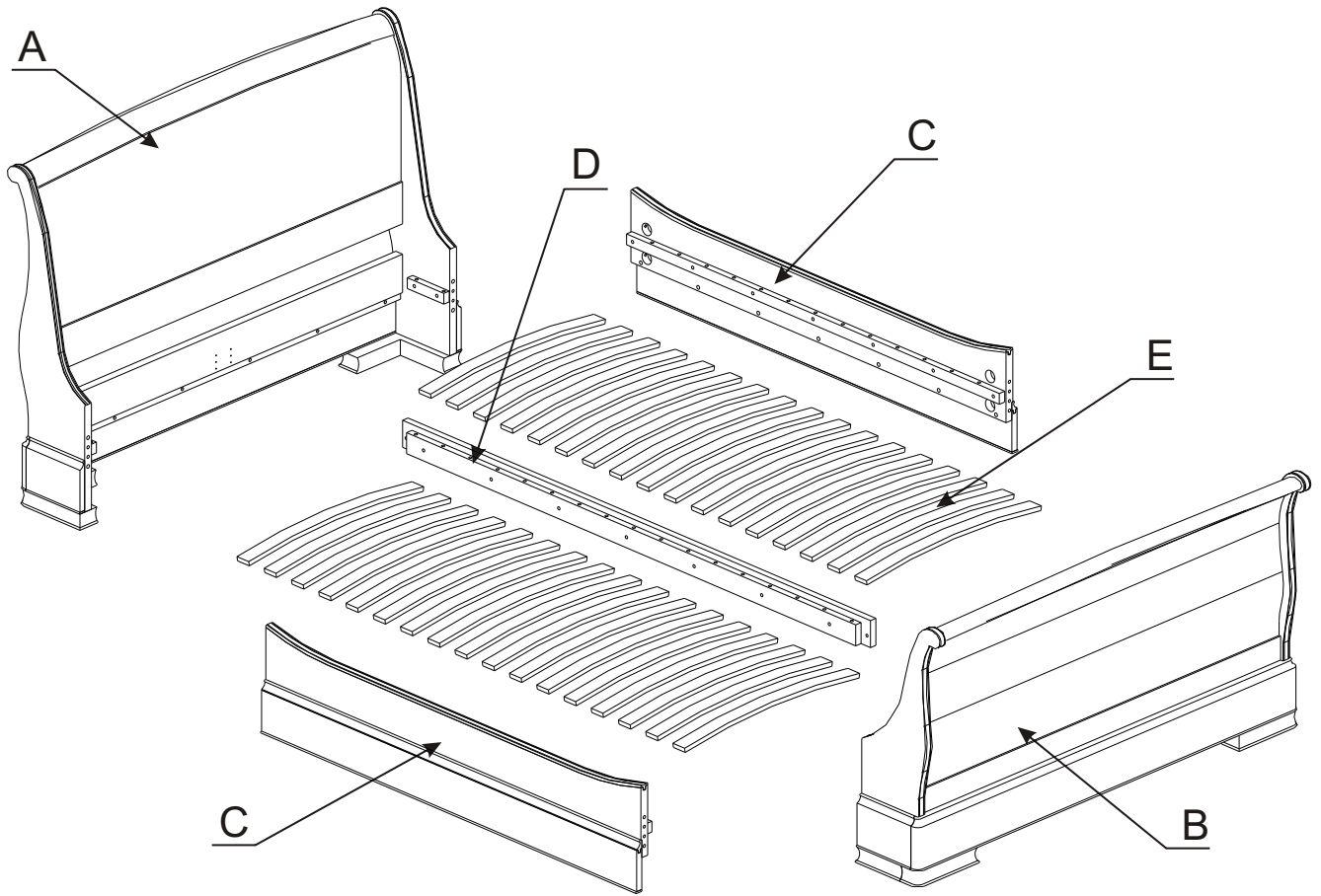
---

## Step By Step Assembly Instructions






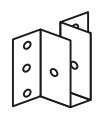
---

### PRE-ASSEMBLY PREPARATION

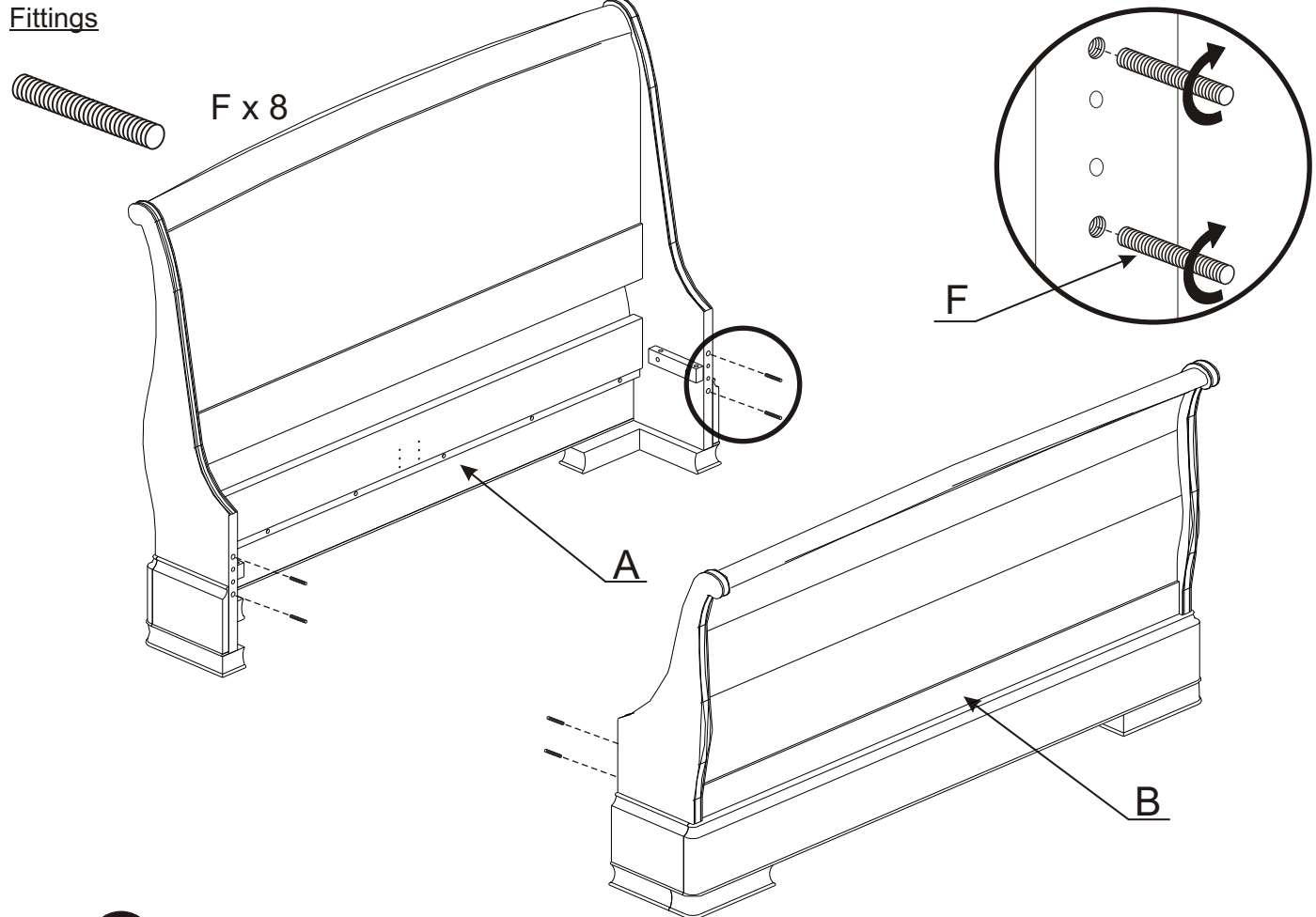
1. Please check the pack contents before attempting to assemble this product. A full checklist of components is given in this leaflet. If any components are missing, please contact the retailer from whom you bought this product.
2. This product is **HEAVY**, it should be assembled as near as possible to the point of use. **TAKE CARE WHEN LIFTING** to avoid personal injury and (or) damage to the product.
3. This product takes approximately **45 MINUTES** to assemble with **2 PEOPLE**.
4. The fittings pack contains **SMALL ITEMS** which should be **KEPT AWAY FROM YOUNG CHILDREN**.
5. Read this leaflet in full before commencing assembly.
6. You will require a crosshead screwdriver, a 13mm spanner (Provided) and two 11mm spanners (Not provided) to assemble this product.



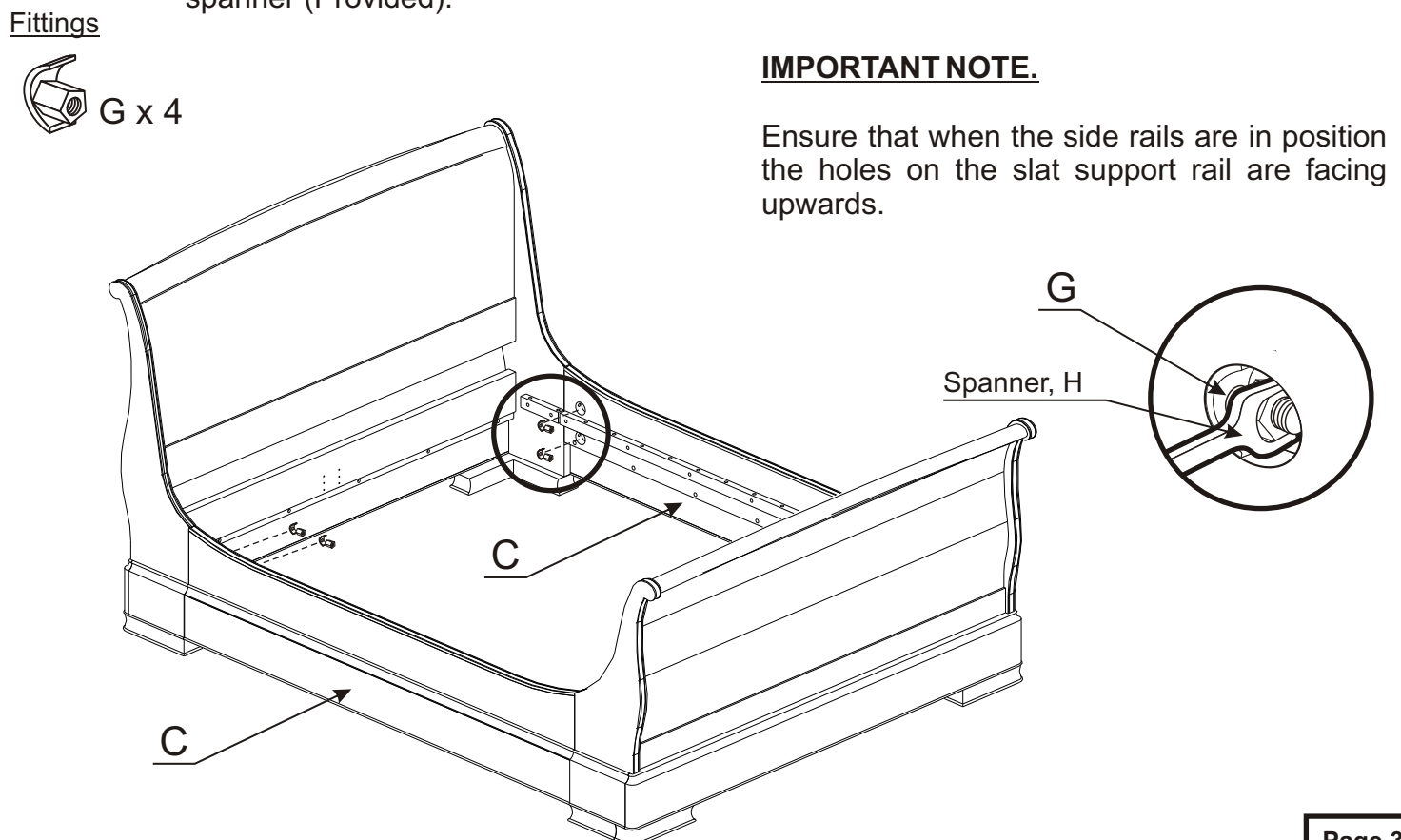
### Panel and Fittings Identification

Item	Description	Qty.	Item	Description	Qty.	Item	Description	Qty.
A	Headboard	1	B	Footboard	1	C	Side Rail	2
D	Centre Rail	1	E	Slat	34	F	Thread	8
G	Nut & Washer 	8	H	Open Ended 13mm Spanner	1	I	15mm CSK Screw 	12
J	40mm Bolt 	2	K	11mm Nut 	2	L	Plastic Cap (Provided with slats) 	68
M	Bracket 	2						

**Step 1** - Screw the eight threads into the headboard and footboard and tighten by hand.

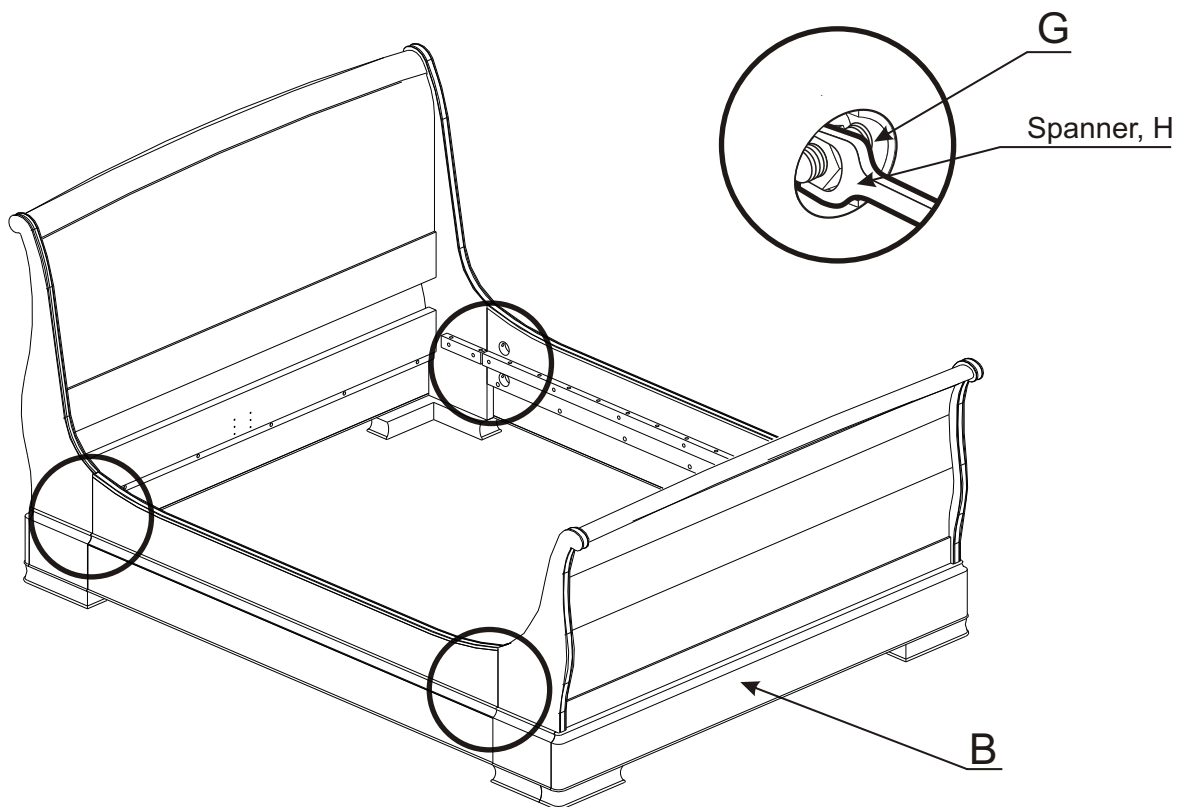


**Step 2** - Locate the side rails onto the threads protruding from the headboard. Locate the washer & Nut (G) onto the threads and secure by hand at first. Tighten evenly using the open ended spanner (Provided).



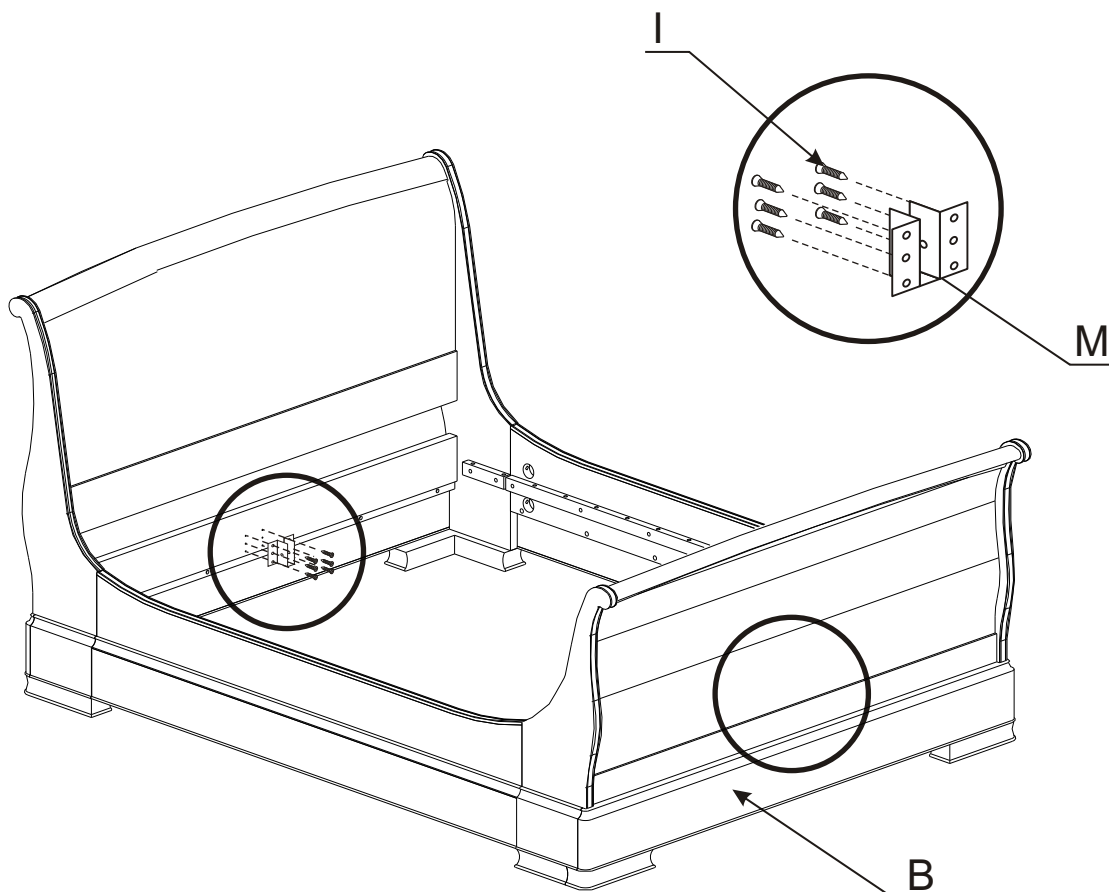
**Step 3** - Locate the side rails onto the threads protruding from the footboard. Locate the washer & nut onto the threads and secure by hand at first. Tighten using the open ended spanner (Provided).

Fittings



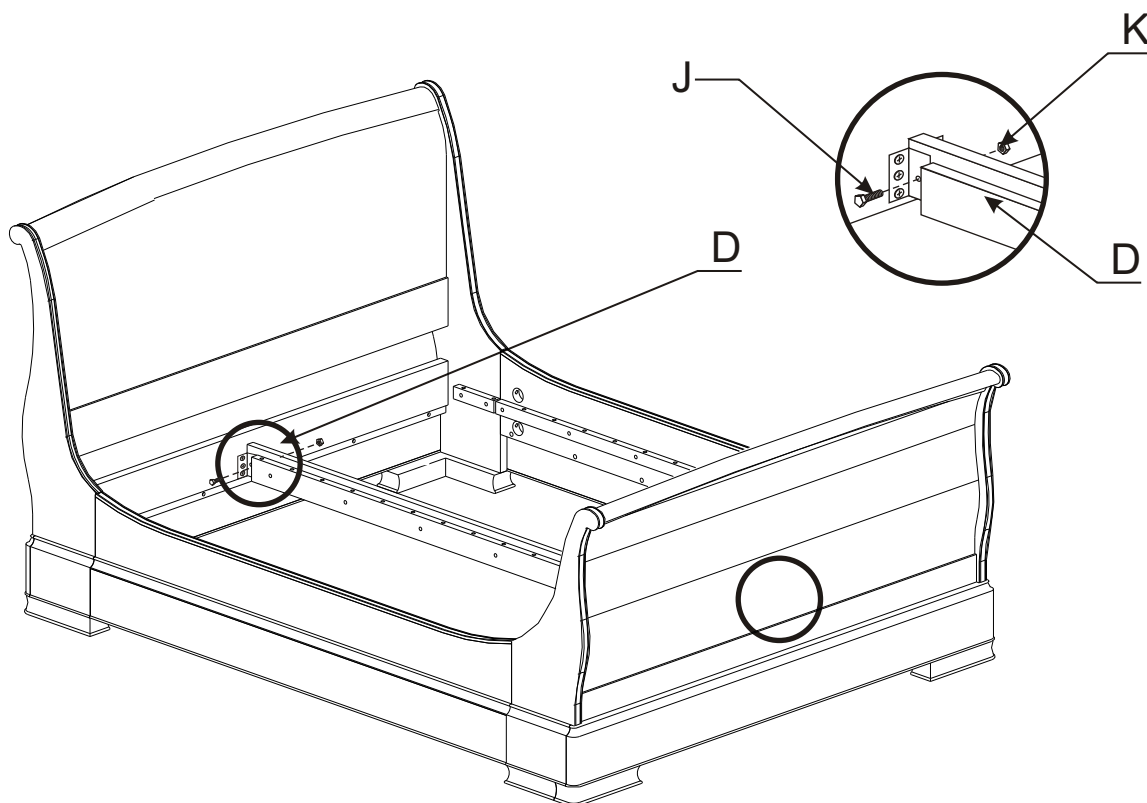
**Step 4** - Attach the brackets (M) to the headboard and footboard using the 15mm screws (I) inserted into the pre-drilled pilot holes. Tighten using a crosshead screwdriver.

Fittings



**Step 5** - Locate the centre rail into the brackets. Secure using the remaining nuts and bolts. Tighten using two 11mm spanners (Not provided).

Fittings



**Step 6** - Push fit two plastic caps onto either end of the slat. Push fit the slat into the pre-drilled pilot holes. Please note that it may require a light tap with a soft hammer to secure the plastic end caps into the holes. Repeat this step with the other 33 slats. The assembly is now complete.

Fittings

